



34 Marr Rd, Rothesay, NB E2E 2R5
 Toll Free: 1-888-645-6326
 Email: info@milnecoltd.ca
 www.Milnecoltd.com



UF 253

E/P

Classic Pump-Fed
 Soft Serve
 Twist Model



Performance and Quality High-performance soft-serve model combines Carpigiani technology with simple and efficient operations. Hard-O-Tronic consistency control technology, an Exclusive patented system regulates refrigeration by measuring product viscosity to maintain consistent quality control. Patented mix injection system produces unmatched product quality.



Convenience Product is fed from rear of cylinder eliminating need to prime and allowing more controllable overrun. Separate touchpad controls for each cylinder let you make a combination of twists of differing products. Each cylinder can be run independently, and one can run alone during low-season. Built-in memory stores information to facilitate repairs.



Savings Standby / energy conservation switch reduces operation costs during idle periods. Self-monitoring system minimizes costly errors.



Safety Audible Signal alerts when refill is needed.



Hygiene Standby mode maintains safe product temperatures in the freezing cylinder.



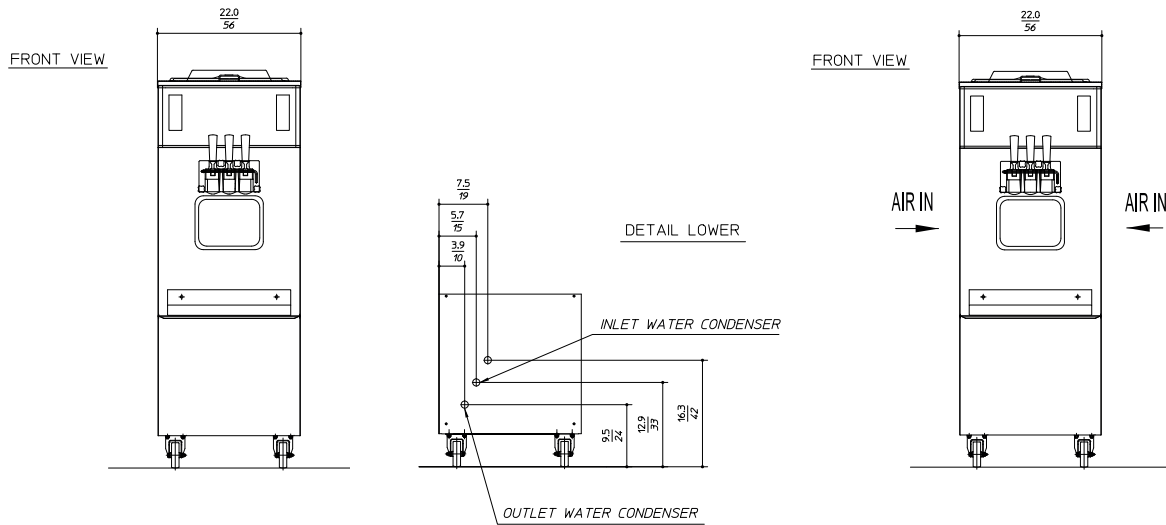
Carpi Care kit



Carpi Clean kit*



*request the kits from your distributor to maintain your machine hygienically clean.



	WATER		AIR	
	lbs.	kgs.	lbs.	kgs.
Weights				
Net	705	320	705	320
Crated	753	342	793	360
	cu. ft.	cu. m.	cu. ft.	cu. m.
Volume	42.03	1.19	42.03	1.19
Dimensions	in.	cm.	in.	cm.
Width	22	56	22	56
Depth	34.1	87	34.1	87
Height	61	155	61	155
Electrical	Maximum Fuse Size	Minimum Circuit Ampacity	Poles (P) Wires (W)	
208-230/60/1 W / A	45A	35/40A	1P, 1W	
208-230/60/3 W / A	30/40A	26/30A	3P, 3W	

Specifications

Electrical

A dedicated electrical connection is required. Manufactured to be permanently connected. See the Electrical chart for the proper electrical requirements. Consult your local Carpigiani distributor for cord & receptacle specifications as local codes allow.

Beater Motor

1,5 HP

Refrigeration System

R404A

Water Cooled

Water inlets and drain connections in the rear 1/2" MPT

Air Cooled *

Minimum clearance: 4" (10 cm) on both side panels and 12" (30 cm) from the rear panel for proper air circulation.

Hopper Capacity

18 quarts (17 liters)

All specifications mentioned must be considered approximate; Carpigiani reserves the right to modify, without notice, all parts deemed necessary. This unit may be manufactured in other electrical characteristics and may have additional regulatory agency approvals, please consult the local Carpigiani Distributor. Check name plate for exact electrical data. * Room temperature 68 °F (20 °C).

Bidding Specs

Electrical Volt _____ Hz _____ Ph _____ Neutral Yes No Cooling Air Water

Options _____



34 Marr Rd, Rothesay, NB E2E 2R5
Toll Free: 1-888-645-6326
Email: info@milnecoltd.ca
www.Milnecoltd.com