



# 191

BAR E G

Countertop  
Soft Serve Model  
that is easy to use



**Performance and Quality** The Carpigiani reputation for the smoothest, creamiest soft serve in the market is proven with this powerful, customizable model. High fibrous mixtures can be accommodated in the Gravity-Fed Model.



**Convenience** Audible Signal alerts when refill is needed. Product is fed from rear of cylinder eliminating need to prime. Least number of components to clean in the industry.



**Savings** Unique cylinder construction delivers better results using less electricity.



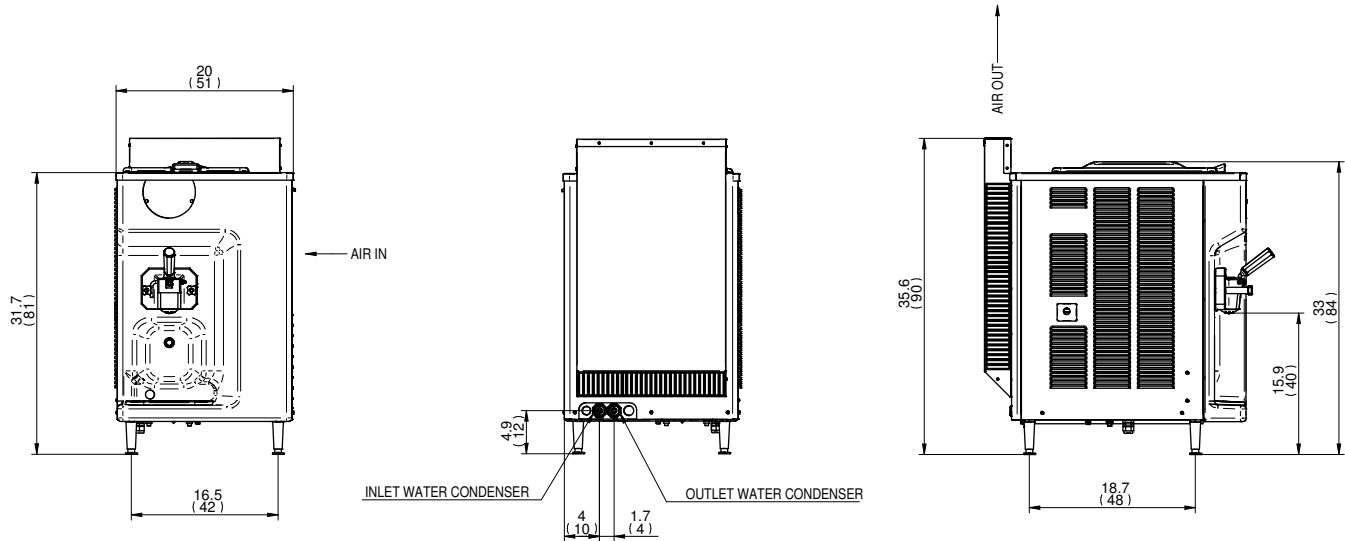
**Safety** TOREMA guarantees facilitated assistance by providing on-line monitoring and diagnosis on a tablet, phone or PC wherever you are.



**Hygiene** Standby mode maintains safe product temperatures in the freezing cylinder and mix hopper utilizing minimal energy during idle periods.



\*request the kits from your distributor to maintain your machine hygienically clean.



	WATER		AIR	
	lbs.	kgs.	lbs.	kgs.
<b>Weights</b>				
Net	286	130	287	130
Crated	354	161	485	220
	cu. ft.	cu. m.	cu. ft.	cu. m.
Volume	30.01	0.85	30.01	0.85
<b>Dimensions</b>	in.	cm.	in.	cm.
Width	20.01	51	20.01	51
Depth	27.7	70	29.5	75
Height	35.4	90	35.4	90
<b>Electrical</b>	Maximum Fuse Size	Minimum Circuit Ampacity	Poles (P) Wires (W)	
208-230/60/1 Air	30A	25/27A	1P, 1W	

## Specifications

### Electrical

A dedicated electrical connection is required. Manufactured to be permanently connected. See the Electrical chart for the proper electrical requirements. Consult your local Carpigiani distributor for cord & receptacle specifications as local codes allow.

### Beater Motor

1,2 HP

### Refrigeration System

R404A

### Water Cooled

Water inlets and drain connections in the rear 1/2" MPT

### Air Cooled \*

Minimum clearance: 3" (8 cm) on both side panels and 0" (0 cm) from the rear panel for proper air circulation.

### Hopper Capacity

19 quarts (18 liters)

All specifications mentioned must be considered approximate; Carpigiani reserves the right to modify, without notice, all parts deemed necessary. This unit may be manufactured in other electrical characteristics and may have additional regulatory agency approvals, please consult the local Carpigiani Distributor. Check name plate for exact electrical data. \* Room temperature 68 °F (20 °C).

### Bidding Specs

Electrical Volt \_\_\_\_\_ Hz \_\_\_\_\_ Ph \_\_\_\_\_ Neutral  Yes  No Cooling  Air  Water

Options \_\_\_\_\_



**34 Marr Rd, Rothesay, NB E2E 2R5**  
**Toll Free: 1-888-645-6326**  
**Email: info@milnecoltd.ca**  
**www.Milnecoltd.com**