



34 Marr Rd, Rothesay, NB E2E 2R5 | 1-888-645-6326 | info@milnecoltd.ca | www.Milnecoltd.com



Broaster® 765 Portable Filter



Standard Features

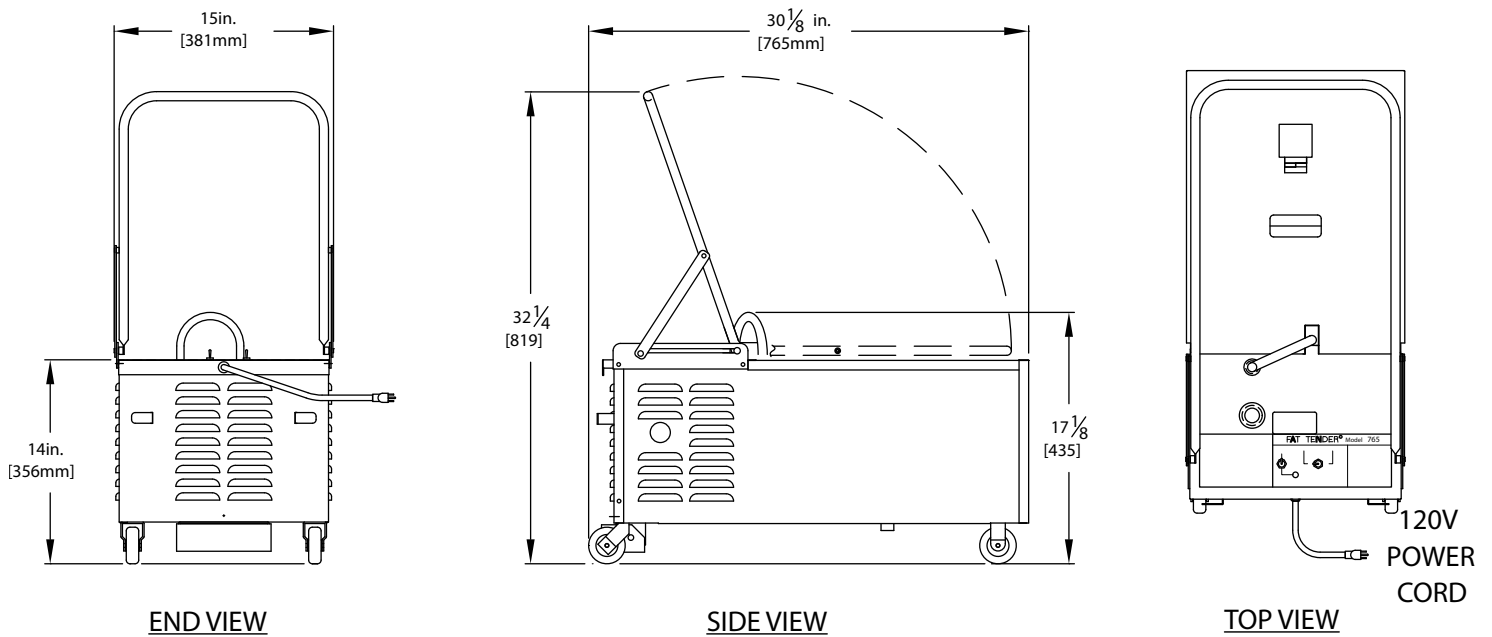
- *Extend oil life* – filtering your cooking oil helps to extend its life, reducing shortening costs while maintaining food quality.
- *Quick filtering* – 5 gallons per minute throughput allows you to filter 65 pounds of hot cooking oil in under five minutes.
- *Easily portable and compact* – durable lightweight unit has two swivel and two stationary casters, pull handle folds down for compact storage.
- *Convenient* – filters cooking oil and returns it to the fryer in a clean, ready-to-cook condition.
- *Safe and easy* – hot oil is safely enclosed inside the unit at all times for easier and safer handling.

Specifications

Model 765 portable shortening filter is of stainless steel construction. It is fitted with 2 fixed and 2 swivel casters to operate in less than 15 inches clearance. Unit includes integrated 1/3 H.P. high-output pump and motor with capacitor start operating at 5 gallons per minute.

The filter comes with high-temperature flexible hose and cool-to-touch nickel-plated wand/handle combination. Reversible pump operating system allows for either gravity feed or power feed to filter well, and power reverse to deliver filtered shortening to cooking or storage vessel.

Broaster® 765 Portable Filter



Dimensions

Cooking Oil Capacity	Overall Dimensions			Tank Height	Unit Net Weight	Shipping Weight	Cubes
	W	D	H				
65 lbs.	15"	30-1/8"	32-1/4"	14" (359 mm)	85 lbs.	95 lbs.	6.68
	(381 mm)	(765 mm)	(819 mm)				

Energy Requirements

120V, 60 Hz, 9 Amps
(6' cord & plug included)

Additional Features

- 1/3 H.P. capacitor start motor.
- Easy to clean and maintain.
- High temperature flexible hose with nickel-plated wand and handle are specially designed to keep cool to the touch, making unit safer to operate.
- Cover prevents objects from falling into the filtering pan.
- Allows use as a gravity fill in addition to the power fill and power return feature.
- Specially designed filter paper and filtering compounds are available to help increase the oil life.