



34 Marr Rd, Rothesay, NB E2E 2R5 | 1-888-645-6326 | info@milnecoltd.ca | www.Milnecoltd.com



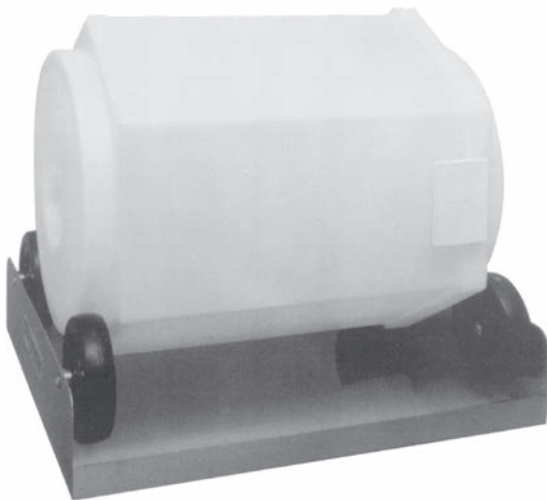
## Broaster® 620 Motorized Easy Breeder



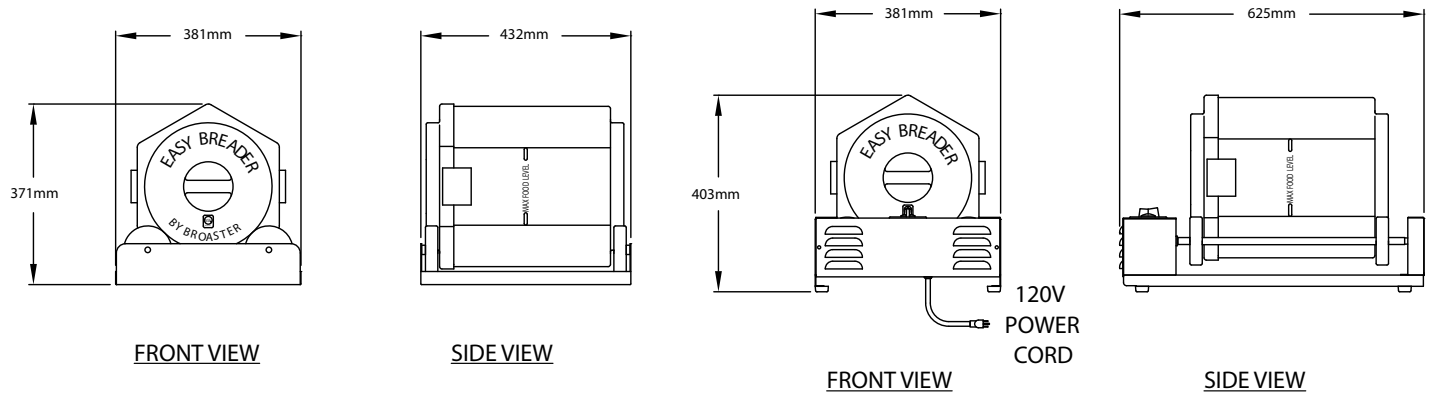
### Standard Features

- Fits almost anywhere – compact unit requires only .23 m<sup>3</sup> of counter-top space.
- Marinates up to 6.3 kg of product in 15 minutes.
- Coats up to 6.3 kg of product in just 3 minutes.
- Breeder available in both manual and motorized versions.
- Optional marinating accessory kit provides a quick, easy and consistent method for both marinating and coating.

## Broaster® 621 Manual Easy Breeder



# Broaster® 620 Motorized Easy Breeder



## Dimensions

Part No.	Description	Overall Dimensions			Shipping Weight	Cubes
		W	D	H		
85302	Model 620 Easy Breeder - motorized base	381mm	625mm	136mm	18.14 kg	.12 m <sup>3</sup>
85003	Model 621 Easy Breeder - non motorized base	381mm	432mm	120mm	7.26 kg	.06 m <sup>3</sup>
08282	Breeder Drum (342.9mm across corners)		415.9mm		2.72 kg	.05 m <sup>3</sup>
16210	Marinator Accessory Kit (for Model 620 only)	-	-	-	16.78 kg	.04 m <sup>3</sup>

## 85302 Model 620 Motorized Easy Breeder (85350 - 220V)

- 30 minute timer
- 3-wire grounded cord included
- 220V electrical
- Two 30-rpm shaded pole garmotors driving all four rollers
- Compact design fits easily on almost any countertop
- Design listed by UL, CSA, NSF

Includes two 08282 Breeder Drums constructed of dishwasher safe high density polyethelene. (NSF listed.)



## 85003 Model 621 Manual Easy Breeder

- Compact design fits easily on almost any countertop
- Non-motorized base allows it to be placed almost anywhere
- Offers a quick and efficient way to coat you product
- Design listed by NSF

Includes one 08282 Breeder Drum constructed of dishwasher safe high density polyethelene. (NSF listed.)



## 16210 Marinator Accessory Kit for the Model 620 Easy Breeder

- Includes equipment accessories needed to marinate 6.3 kg of product with your Model 620 Easy Breeder motorized base: stirring paddle, stopper/holder assembly, marinator bags and operating instructions.